

## 2 X 6 FRAME STUCCO

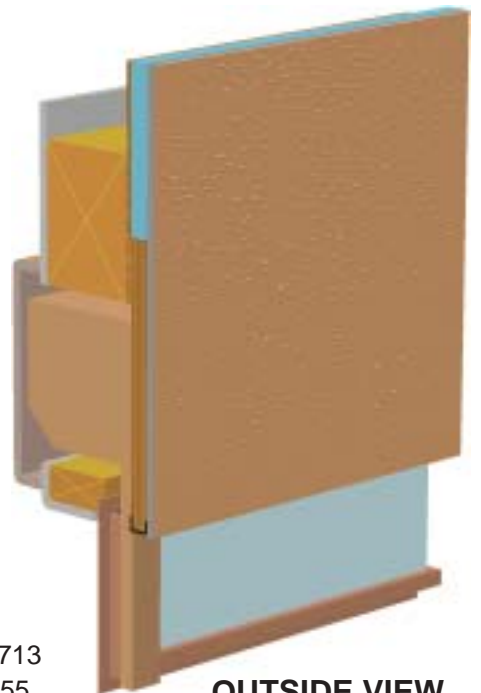
CROSS SECTION



INSIDE VIEW



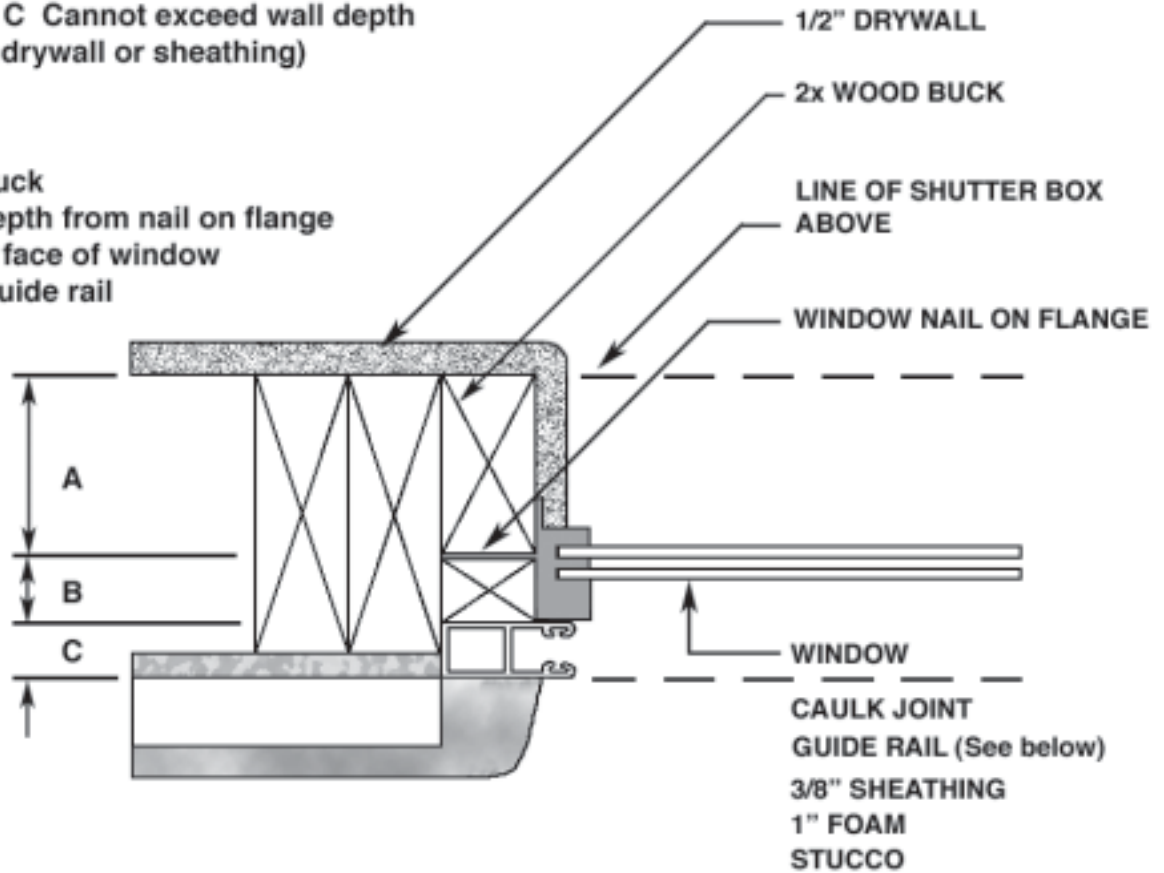
500 E. 27th Street ■ Tucson, AZ 85713  
 (520) 798-1294 FAX (520) 622-1455



OUTSIDE VIEW

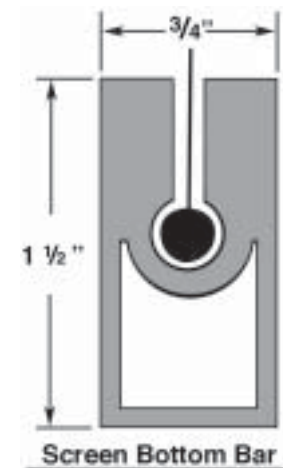
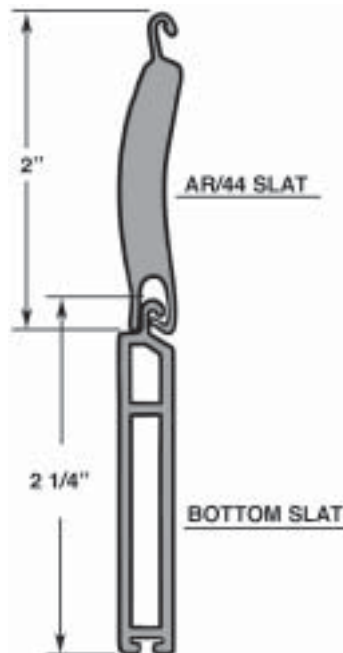
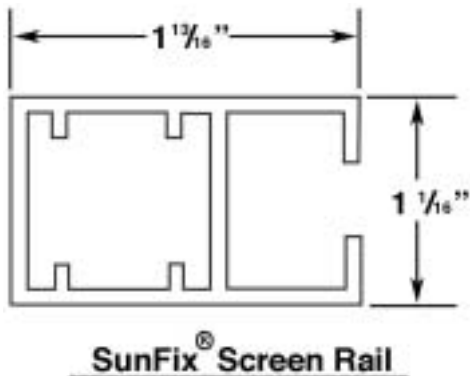
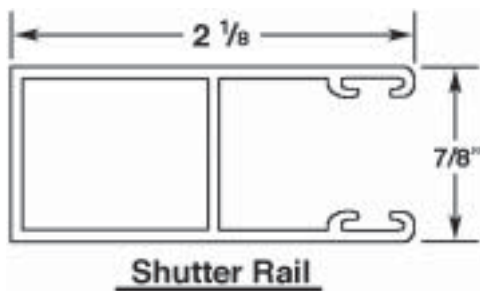
**NOTE: A + B + C Cannot exceed wall depth  
(Not including drywall or sheathing)**

**A = Window Buck  
B = Window depth from nail on flange  
to outside face of window  
C = Depth of guide rail**



## 2 x 6 FRAME STUCCO

PLAN VIEW



500 E. 27th Street ■ Tucson, AZ 85713  
(520) 798-1294 FAX (520) 622-1455