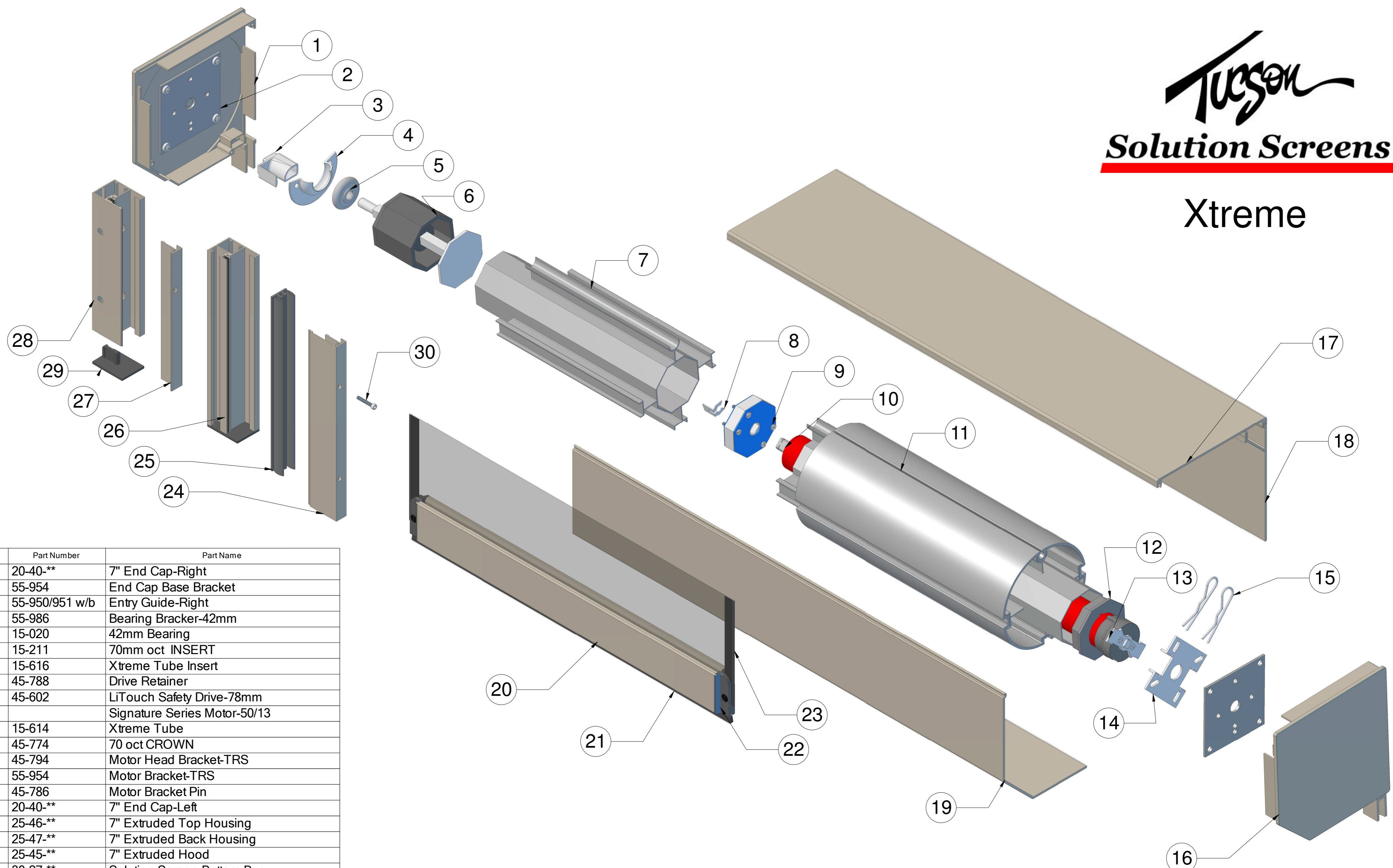


Xtreme



Item Number	Part Number	Part Name
1	20-40-**	7" End Cap-Right
2	55-954	End Cap Base Bracket
3	55-950/951 w/b	Entry Guide-Right
4	55-986	Bearing Bracker-42mm
5	15-020	42mm Bearing
6	15-211	70mm oct INSERT
7	15-616	Xtreme Tube Insert
8	45-788	Drive Retainer
9	45-602	LiTouch Safety Drive-78mm
10		Signature Series Motor-50/13
11	15-614	Xtreme Tube
12	45-774	70 oct CROWN
13	45-794	Motor Head Bracket-TRS
14	55-954	Motor Bracket-TRS
15	45-786	Motor Bracket Pin
16	20-40-**	7" End Cap-Left
17	25-46-**	7" Extruded Top Housing
18	25-47-**	7" Extruded Back Housing
19	25-45-**	7" Extruded Hood
20	30-27-**	Solution Screen Bottom Bar
21	80-512	Bottom Bar Felt
22	40-340	Bottom Bar Plug
23		Fabric Panel
24	30-21-**	Solution Rail Cover
25	80-540	Solution Rail Insert
26	30-19-**	Solution Rail Base
27	30-25-**	Solution Rail Recessed Cover
28	30-23-**	Solution Rail Recessed Base
29	40-340	Solution Rail Bottom Plug
30	70-134	Socket Head Cap Screw
37	** denotes color	See Color Chart/Samples